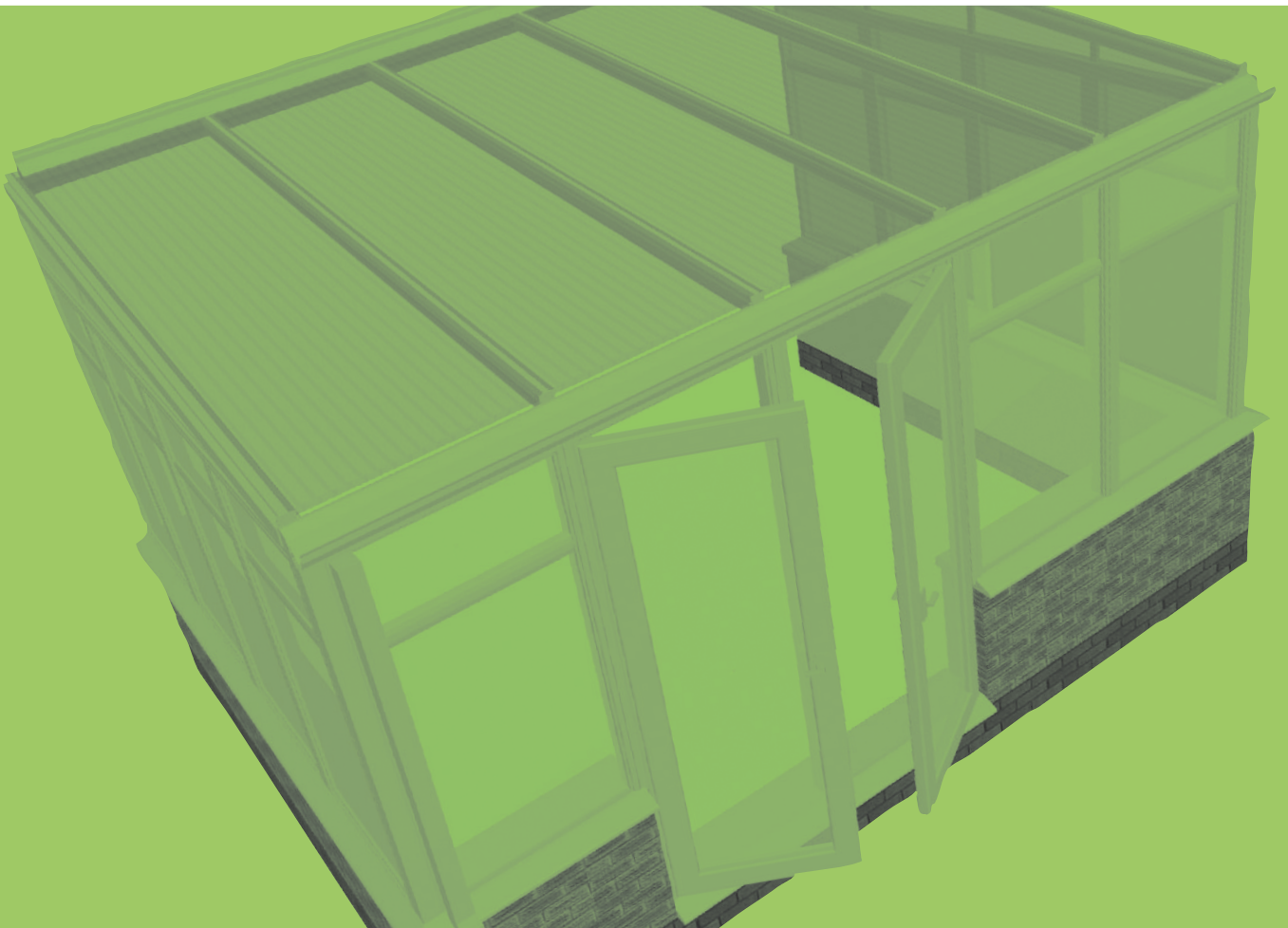


# ultraframe

## Classic

### Low Pitch Lean-to



## Technical Guide

Version 1.0  
May 2011

# Classic Low Pitch Lean-to

This system allows roof fitment down to 2.5° degrees. Featuring the use of ready made firrings or your own raked frames, it allows fitment of a lean-to conservatory to even the most awkward bungalow situation.

For help and guidance with detailing or specification please contact our technical support team on:-

Tel: 0843 208 6953

Fax: 0843 208 6952

Email: [techsupport@ultraframe.co.uk](mailto:techsupport@ultraframe.co.uk)



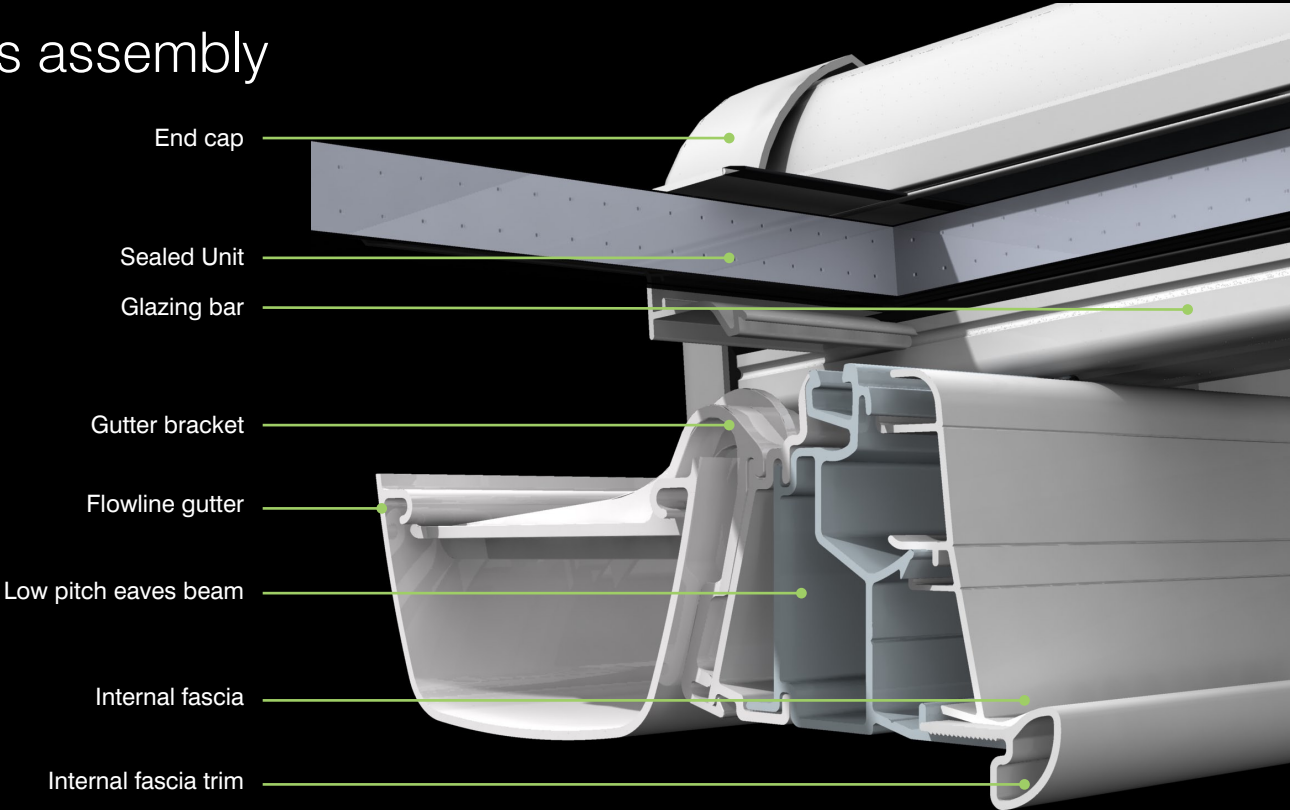
# features & benefits

- Available in two polycarbonate glazing options - 25 and 35mm or unglazed for 4-16-4 units
- Fully variable pitch (2.5° to 10°)
- 3 colour options – White, Rosewood and Light Oak (internal and external)
- Structural firrings at 2.5° and 5° are available in the 3 colour options
- Suitable for raked frames too
- Tested and approved by the BBA down to 2.5° degrees
- Integrated wall plate ventilation system for additional comfort
- Optional box gutter allows 'work arounds' on restricted soffit situations

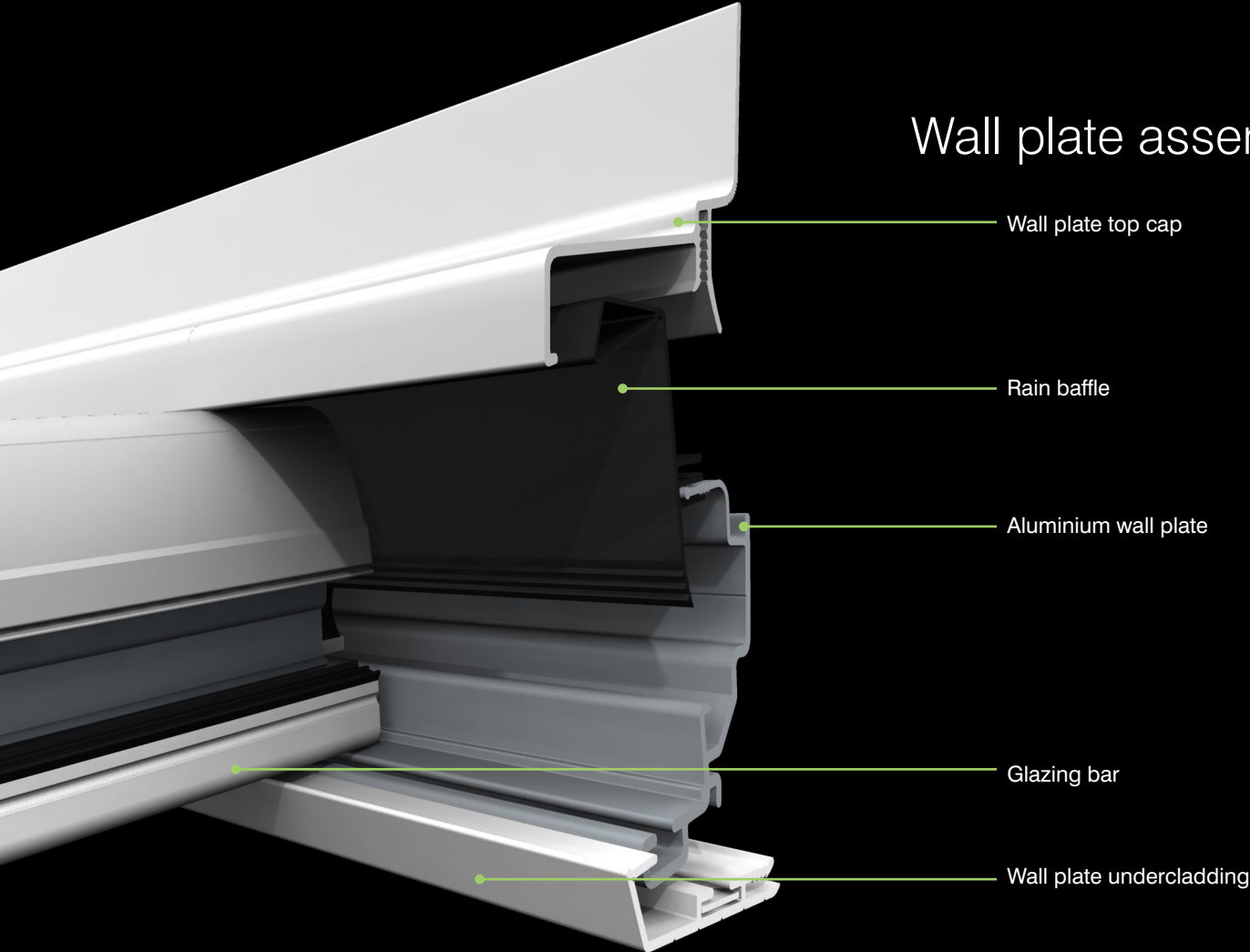


# product in close up

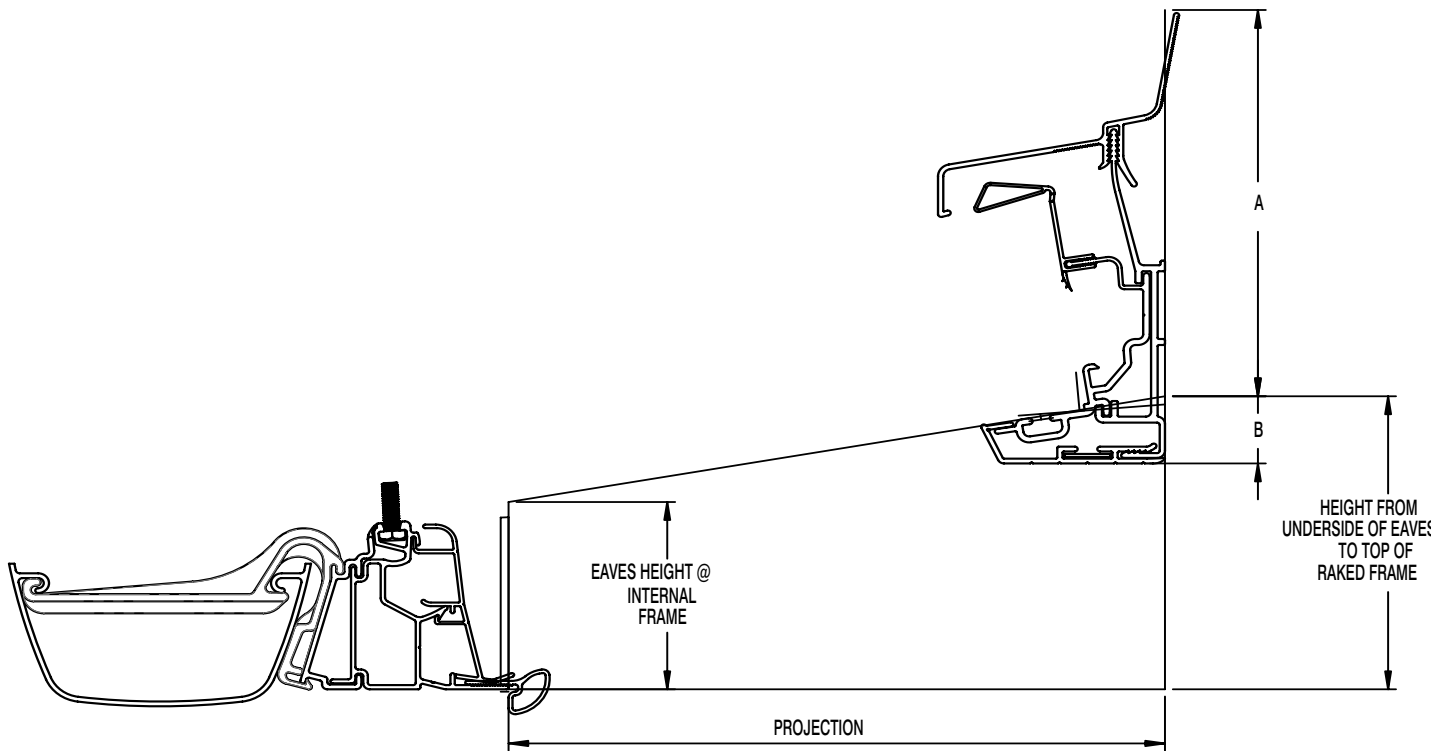
## Eaves assembly



## Wall plate assembly



# Set out information



## VENTILATED WALL PLATE HEIGHT RESTRICTION DETAILS

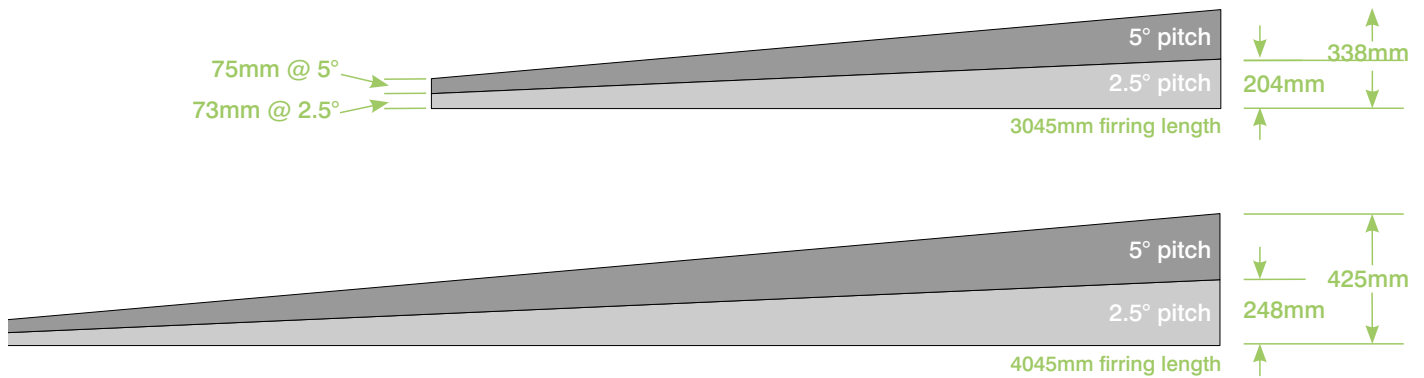
| PITCH (°)  | 2.5° | 3°  | 3.5° | 4°  | 4.5° | 5°  | 5.5° | 6°  | 6.5° | 7°  | 7.5° | 8°  | 8.5° | 9°  | 9.5° | 10° |
|------------|------|-----|------|-----|------|-----|------|-----|------|-----|------|-----|------|-----|------|-----|
| DIM A (mm) | 166  | 165 | 165  | 165 | 165  | 164 | 164  | 164 | 163  | 163 | 163  | 163 | 162  | 162 | 162  | 161 |
| DIM B (mm) | 23   | 24  | 24   | 24  | 24   | 25  | 25   | 25  | 26   | 26  | 26   | 26  | 27   | 27  | 27   | 28  |

## HEIGHT FROM UNDERSIDE OF EAVES TO TOP OF RAKED FRAME AT WALL

| PITCH | EAVES HEIGHT AT INTERNAL FRAME (mm) | PROJECTION (mm) |      |      |      |      |      |      |      |      |      |      |      |      |      |      |      |
|-------|-------------------------------------|-----------------|------|------|------|------|------|------|------|------|------|------|------|------|------|------|------|
|       |                                     | 2500            | 2600 | 2700 | 2800 | 2900 | 3000 | 3100 | 3200 | 3300 | 3400 | 3500 | 3600 | 3700 | 3800 | 3900 | 4000 |
| 2.5°  | 72                                  | 181             | 185  | 190  | 194  | 198  | 203  | 207  | 212  | 216  | 220  | 225  | 229  | 233  | 238  | 242  | 247  |
| 3°    | 72                                  | 203             | 209  | 214  | 219  | 224  | 229  | 235  | 240  | 245  | 250  | 256  | 261  | 266  | 271  | 277  | 282  |
| 3.5°  | 73                                  | 226             | 232  | 238  | 244  | 250  | 256  | 262  | 268  | 274  | 281  | 287  | 293  | 299  | 305  | 311  | 317  |
| 4°    | 73                                  | 248             | 255  | 262  | 269  | 276  | 283  | 290  | 297  | 304  | 311  | 318  | 325  | 332  | 339  | 346  | 353  |
| 4.5°  | 74                                  | 270             | 278  | 286  | 294  | 302  | 309  | 317  | 325  | 333  | 341  | 349  | 357  | 365  | 372  | 380  | 388  |
| 5°    | 74                                  | 292             | 301  | 310  | 319  | 327  | 336  | 345  | 354  | 362  | 371  | 380  | 389  | 397  | 406  | 415  | 424  |
| 5.5°  | 74                                  | 315             | 324  | 334  | 344  | 353  | 363  | 373  | 382  | 392  | 402  | 411  | 421  | 430  | 440  | 450  | 459  |
| 6°    | 75                                  | 337             | 348  | 358  | 369  | 379  | 390  | 400  | 411  | 421  | 432  | 442  | 453  | 463  | 474  | 484  | 495  |
| 6.5°  | 75                                  | 360             | 371  | 383  | 394  | 405  | 417  | 428  | 439  | 451  | 462  | 474  | 485  | 496  | 508  | 519  | 531  |
| 7°    | 76                                  | 382             | 395  | 407  | 419  | 431  | 444  | 456  | 468  | 480  | 493  | 505  | 517  | 530  | 542  | 554  | 566  |
| 7.5°  | 76                                  | 405             | 418  | 431  | 444  | 457  | 471  | 484  | 497  | 510  | 523  | 536  | 550  | 563  | 576  | 589  | 602  |
| 8°    | 76                                  | 427             | 441  | 456  | 470  | 484  | 498  | 512  | 526  | 540  | 554  | 568  | 582  | 596  | 610  | 624  | 638  |
| 8.5°  | 77                                  | 450             | 465  | 480  | 495  | 510  | 525  | 540  | 555  | 570  | 585  | 600  | 614  | 629  | 644  | 659  | 674  |
| 9°    | 77                                  | 473             | 489  | 504  | 520  | 536  | 552  | 568  | 584  | 599  | 615  | 631  | 647  | 663  | 679  | 695  | 710  |
| 9.5°  | 78                                  | 496             | 512  | 529  | 546  | 562  | 579  | 596  | 613  | 629  | 646  | 663  | 680  | 696  | 713  | 730  | 747  |
| 10°   | 78                                  | 518             | 536  | 554  | 571  | 589  | 607  | 624  | 642  | 659  | 677  | 695  | 712  | 730  | 748  | 765  | 783  |

# firring specification

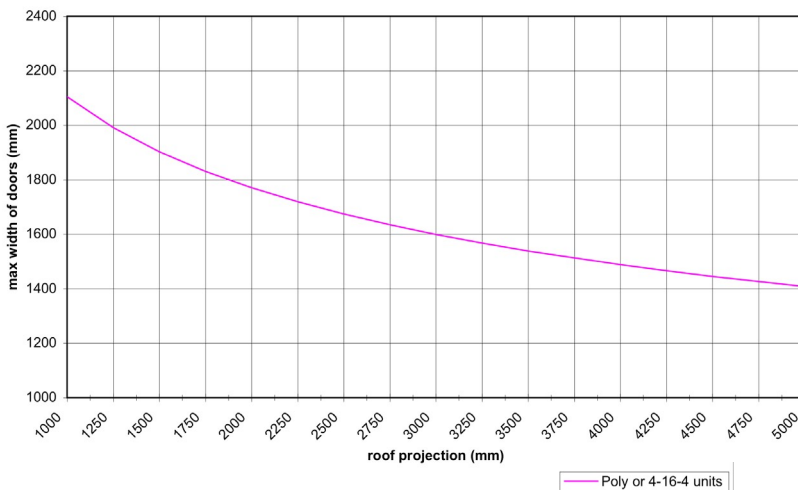
- Available at 2.5° and 5° pitch in 3045mm and 4045mm lengths - these need to be cut to length on site.\*
- The firrings consist of a series of inter connected/locking profiles that are supplied pre-fabricated.
- Firrings are supplied in 3 different 'conditions' to suit various projections and applications (see table below).
- When specifying only one firring, it must be confirmed whether this is the left or right hand (as viewed externally from front of conservatory).
- The guttering can be clipped to the firring allowing the guttering to run along the front and sides of the conservatory. This can save the need for a soakaway as the guttering can be routed back to the house and rain water dispersed down the dwelling's existing fall pipes.



## Recommended firring specification rules:

Ultraframe have gone one step further with these ready assembled interlocking profiles that not only fill the 'hole' between the side frames and the roof but which add substantial support to the whole structure particularly when doors are in the end elevations.

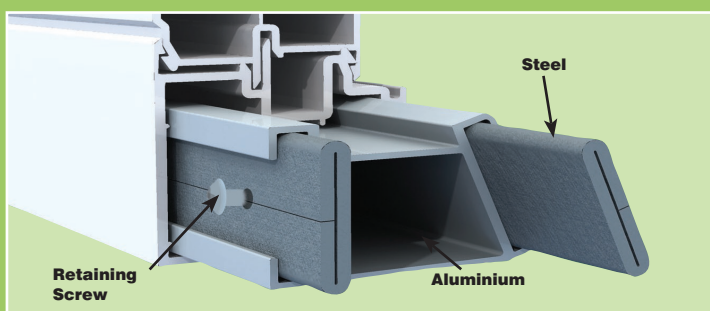
Performance based on Standard Load - Snow 0.6kN/m<sup>2</sup>



| 25/35mm Polycarbonate  | Standard | Stage 1 Reinforcement (Aluminium) | Stage 2 Reinforcement (Aluminium & Steel) |
|--|----------|-----------------------------------|---|
| <b>up to 3000mm projection</b>                               |          |                                   |   |
| without doors  | ■        | □                                 | □   |
| with doors   | X        | ■                                 | □   |
| <b>over 3000mm and up to 4000mm (maximum firring length)</b> |          |                                   |   |
| without doors  | X        | ■                                 | □   |
| with doors   | X        | X                                 | ■   |

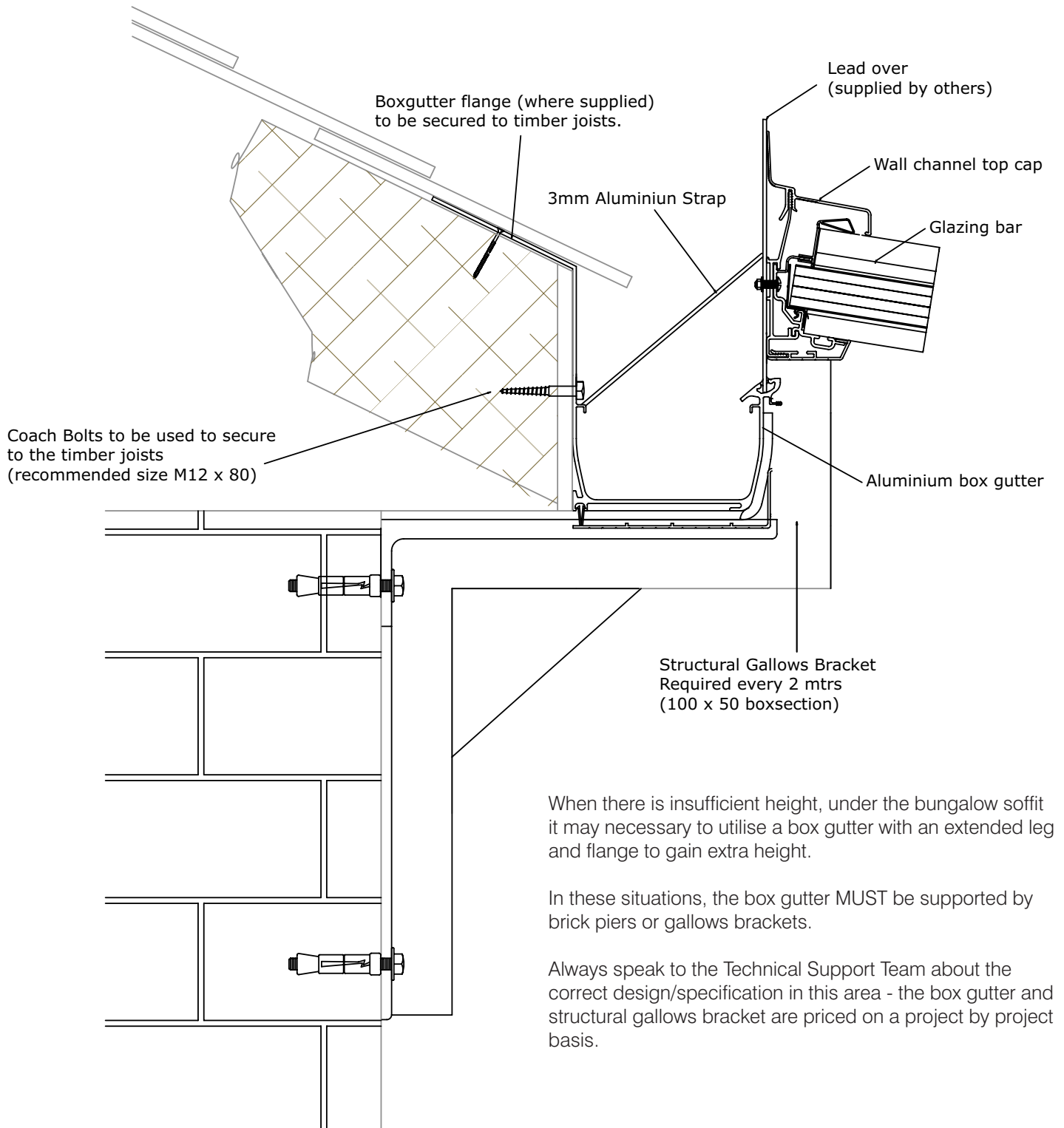
■ Recommended □ Optional X Not suitable

**When doors are in either the sides or the front of the conservatory, the door outer frame profile must be reinforced**



\*When firrings are supplied with stage 2 steel reinforcement and are cut to length on site, it is essential that the retaining screws are refitted if removed (see left). Failure to do so may result in the steel moving or rattling when doors underneath are opened/closed.

# box gutter specification



# ultraframe

Ultraframe (UK) Ltd, Salthill Road, Clitheroe, Lancashire, BB7 1PE

[www.ultraframe.co.uk](http://www.ultraframe.co.uk)

Ultraframe is a trading name of  
Ultraframe (UK) Ltd.

It is Ultraframe's policy to continually seek to improve its products, processes and services, and we reserve the right to change specifications without prior notice. Ultraframe is a trading name of Ultraframe (UK) Limited.

CLTTG001 v1.0 0810